

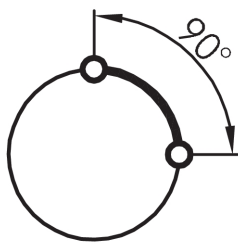
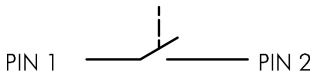
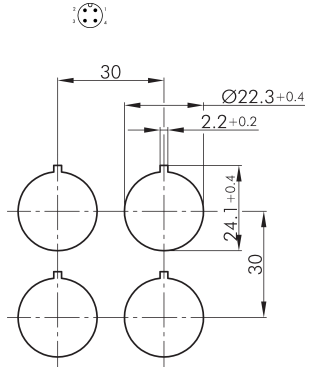
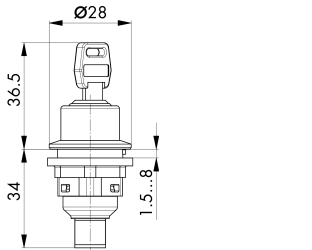


**Key-operated switch, maintained, with 4-pole M12 connector  
SVASSA15I\_C007**

Description: with integrated 4-pole M12 connector, A coded including two keys other lock types on request

Category: Key switches (momentary/maintained)  
 Series: SHORTRON® connect  
 Panel cut-out: Ø 22.3 mm  
 Mounting depth: 33.7 mm  
 Protection class: II (protective insulation)  
 Degree of protection: IP65 (in the front);  
 IP65 / IP67 (on the rear with plugged-in M12 connector)

Switching function: maintained action  
 Travel: 2.3 mm (pushbutton)  
 Illumination: no  
 With labelling option: no  
 Contact equipment: 1 NO  
 Connection type: 4-pole M12 connector (integrated), A coded  
 Front bezel: stainless steel, polished  
 Electrical life: 30,000 switching cycles at rated load  
 Storage temperature: -40°C ... 80°C  
 Positive opening: no  
 Operating temperature: -25°C ... 70°C  
 Mechanical life: 30,000 switching cycles  
 Shape: round  
 Contact material: AgNi



Legend  
**I = Switching position** >= **Spring return**  
**O = Key removable position**

**Optional accessory**



Standard spare keys ESMIC482



Spacer ring SDR



Spacer ring SDRSW



Mounting bracket 135° / 1 mounting hole stainless steel  
1.4301 S\_CW145



Mounting bracket 90° / 1 mounting hole stainless steel 1.4301  
S\_CW190



Mounting bracket 135° / 2 mounting holes stainless steel  
1.4301 S\_CW245



Mounting bracket 90° / 2 mounting holes stainless steel 1.4301  
S\_CW290



Mounting bracket 135° / 3 mounting holes stainless steel  
1.4301 S\_CW345



Mounting bracket 90° / 3 mounting holes stainless steel 1.4301  
S\_CW390

